

Rise - To Be
Calculated Using
APERTURA | Configurator

1

2

3

4

35

35

R35

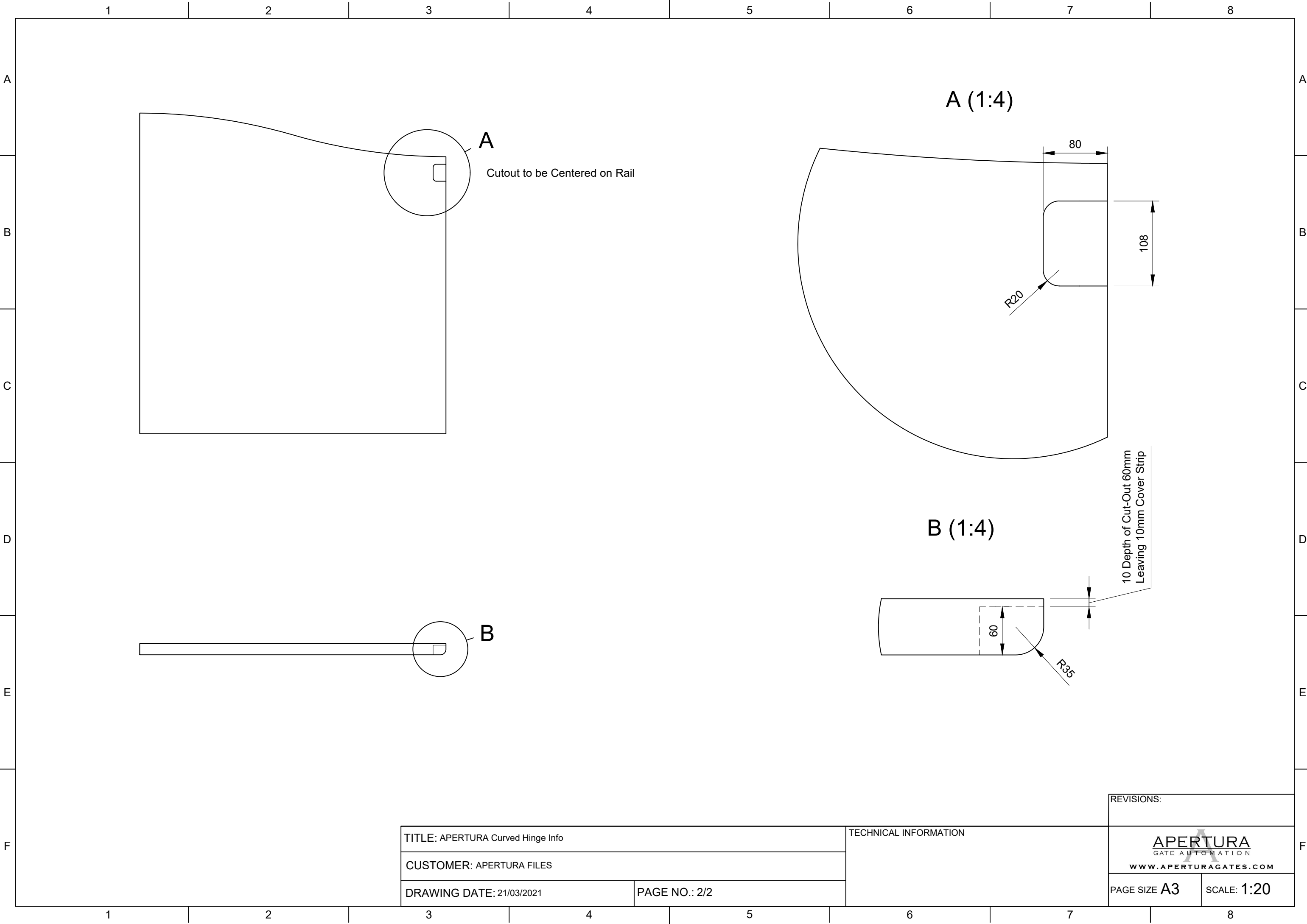
70

Parts List		
Item	Qty	Part Number
1	1	Inset Hinge Curved - Apertura
2	1	LH Bottom Hinge
3	1	RH Inset Hinge Curved - Apertura
4	1	RH Bottom Hinge

TITLE: APERTURA Curved Hinge Info	
CUSTOMER: APERTURA FILES	
DRAWING DATE: 21/03/2021	PAGE NO.: 1/2

TECHNICAL INFORMATION

REVISIONS:
APERTURA <small>GATE AUTOMATION</small> <small>WWW.APERTURAGATES.COM</small>
PAGE SIZE A3 SCALE: 1:20



A
Cutout to be Centered on Rail

A (1:4)

B (1:4)

10 Depth of Cut-Out 60mm
Leaving 10mm Cover Strip

TITLE: APERTURA Curved Hinge Info		TECHNICAL INFORMATION
CUSTOMER: APERTURA FILES		
DRAWING DATE: 21/03/2021	PAGE NO.: 2/2	

REVISIONS:	
APERTURA <small>GATE AUTOMATION</small> <small>WWW.APERTURAGATES.COM</small>	
PAGE SIZE A3	SCALE: 1:20